

## auto electrical parts

### Technical Information Sheet

#### Part No. 0-578-20

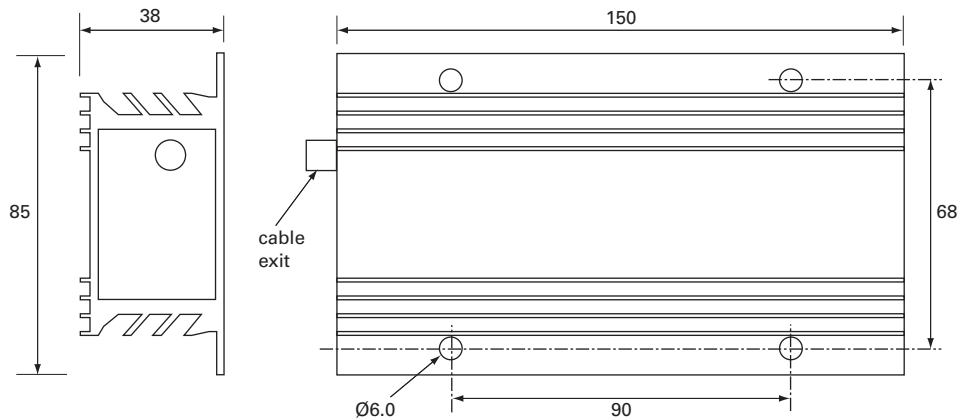
12 to 24 volt, 10 amps continuous. Specially designed to operate 'Wayfarer' ticket machines on 12 volt buses. Switch mode non-isolated return. Quiescent current consumption 110mA.

#### Additional information

Black - Common negative  
Red - Input 12 volts positive  
Blue - Output 24 volts positive



#### Technical Drawing (not to scale)



#### Specification

Type	Voltage converter
Input Voltage	Nominal 12 volts
Output voltage	24 volt $\pm 5\%$
Type	Switched mode non-isolated return
Load	10 amp continuous, 15 amp intermittent
Quiescent current	Max 150mA
Leads	200mm
Protection	Overcurrent, overheat, transients with auto reset
Operating temp	$-40^{\circ}$ to $+70^{\circ}\text{C}$
Case	Aluminium
Encapsulation	Silicone rubber
Protection	Water resistant
Weight	520g
Dimensions	l 150 x w 85 x h 38mm
Approvals	72/245/EEC, 95/94/EC, e11

The information contained in this document is correct to the best of our knowledge at the time of printing. However, specifications may change at any time without notice.